

# THE DRESCHER **COMBUSTION AIR VENT**

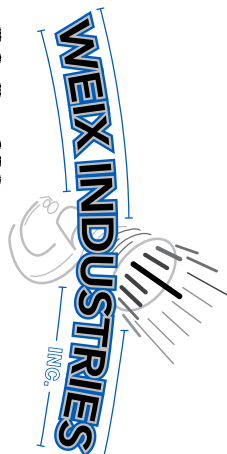
*...economically improves  
the efficiency of your  
conventional fireplace.*

It's an age-old problem. Homeowners need an air supply to use their fireplaces. But, they may pay dearly for it by drawing from their own household heat for fireplace operation. Costly and unnecessary.

Effectively remedied by the  
DURABLE CAST IRON  
DRESCHER **COMBUSTION AIR VENT**

- 1.** THE DRESCHER **AIR VENT** efficiently draws cold air from outside the home and generates the proper environment for combustion, using **UNHEATED, FREE AIR**.
- 2.** Like a damper, it controls air flow, and continuously feeds combustion air into the fireplace.

P.O. Box 239  
Richfield, WI 53076



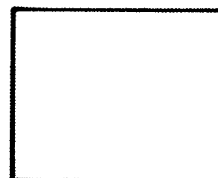
## THE QUESTION:

*How do I  
economically bring  
exterior air into  
my fireplace?*

## THE ANSWER:

# THE **NEW** DRESCHER **COMBUSTION AIR VENT**

**FOR MASONRY  
FIREPLACES...**



# The Drescher Combustion air vent

(Install and use Only in Masonry Fireplaces)

A Breath of fresh air for your fire!

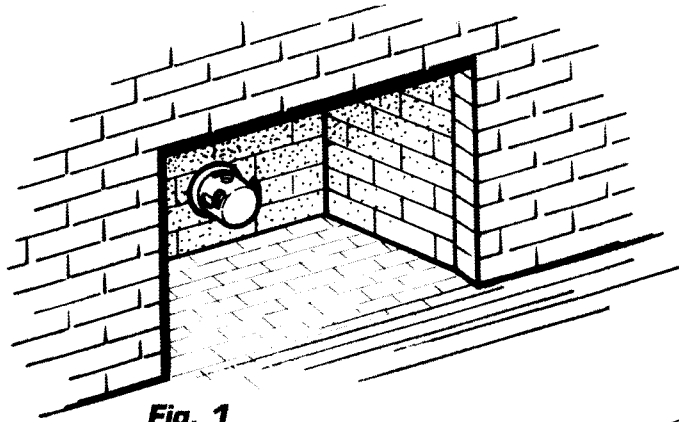


Fig. 1

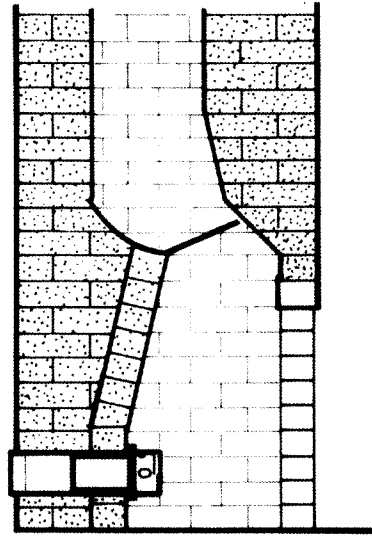
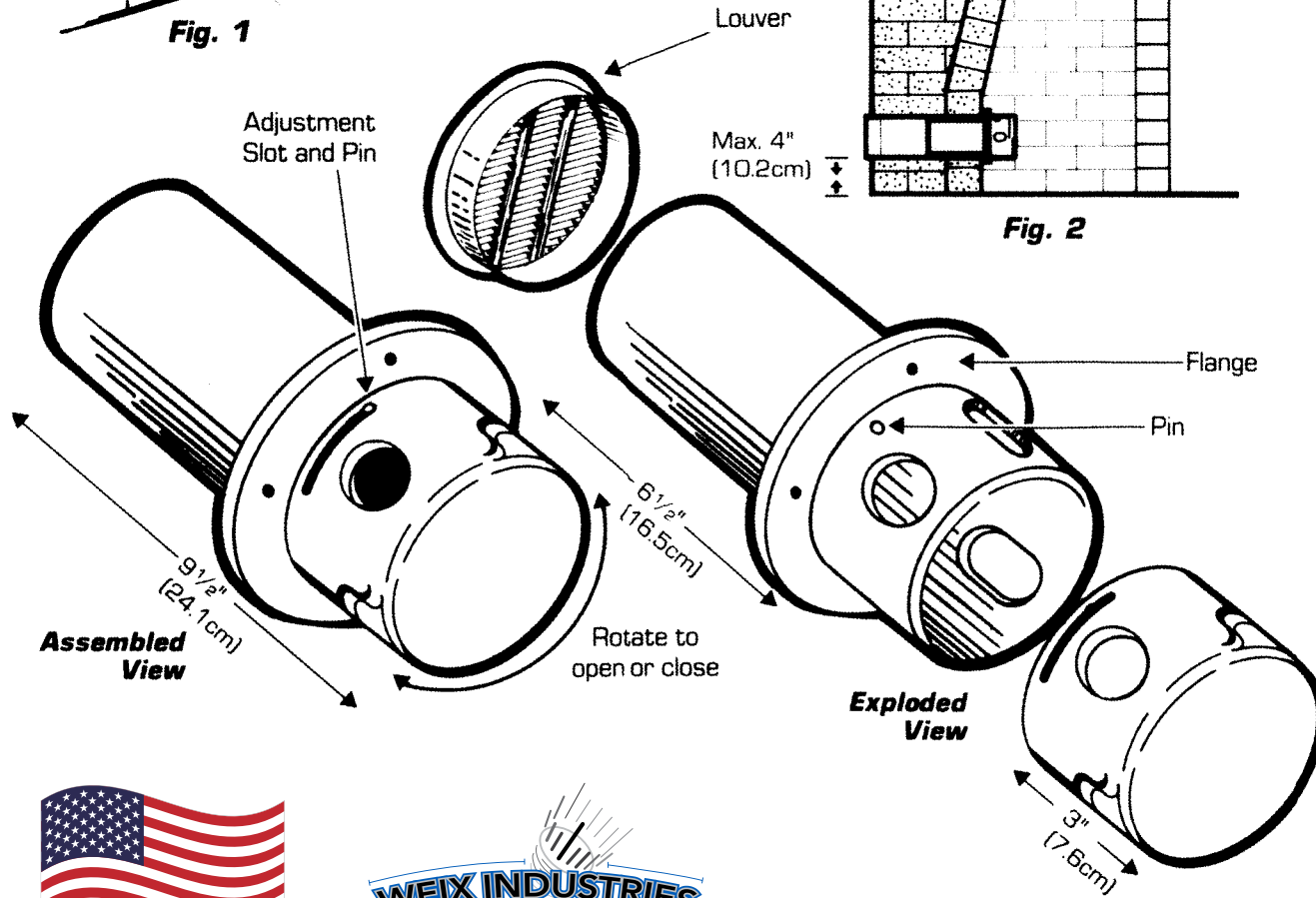


Fig. 2



Uniquely designed, the **COMBUSTION AIR VENT** can be installed in new or existing masonry fireplaces, constructed in accordance with NFPA 211, the standard for Chimneys, Fireplaces and Vents.

Access to outside air is crucial. Larger fireplaces might require two AIR VENTS.

For best results please read all instructions carefully before installing or using this device.

**Fig. 1:** Install AIR VENT horizontally in the closed position with the middle of the slot on top and centered on the back wall (preferred) or a side wall of any conventional masonry fireplace, not more than 4" (10.2cm) from the floor of the fireplace to the bottom of the hole (as illustrated in fig.2) Hole for AIR VENT is approximately 4 1/4" (11.4cm) in diameter.

**Fig. 2:** Extend AIR VENT from fireplace position to an outside wall with 4" (10.2cm) galvanized pipe. **Maintain a 1" (2.5cm) minimum clearance to any combustible construction.** Use furnace cement to seal joint between fireplace wall and vent flange.

Drill a 4" (10.2cm) hole through outside wall and press 4" (10.2cm) louver into opening from outside. Louver will keep out bugs, small animals and birds.

*Note: Contact local building or fire officials concerning any installation restrictions or need for inspection of this fireplace accessory.*



Made In the U.S.A.



1829 Mayfield Rd. Richfield, WI 53076  
FAX (262) 628-4661

(262) 628-4188  
www.weixindustries.com

**SAVE THESE INSTRUCTIONS!**